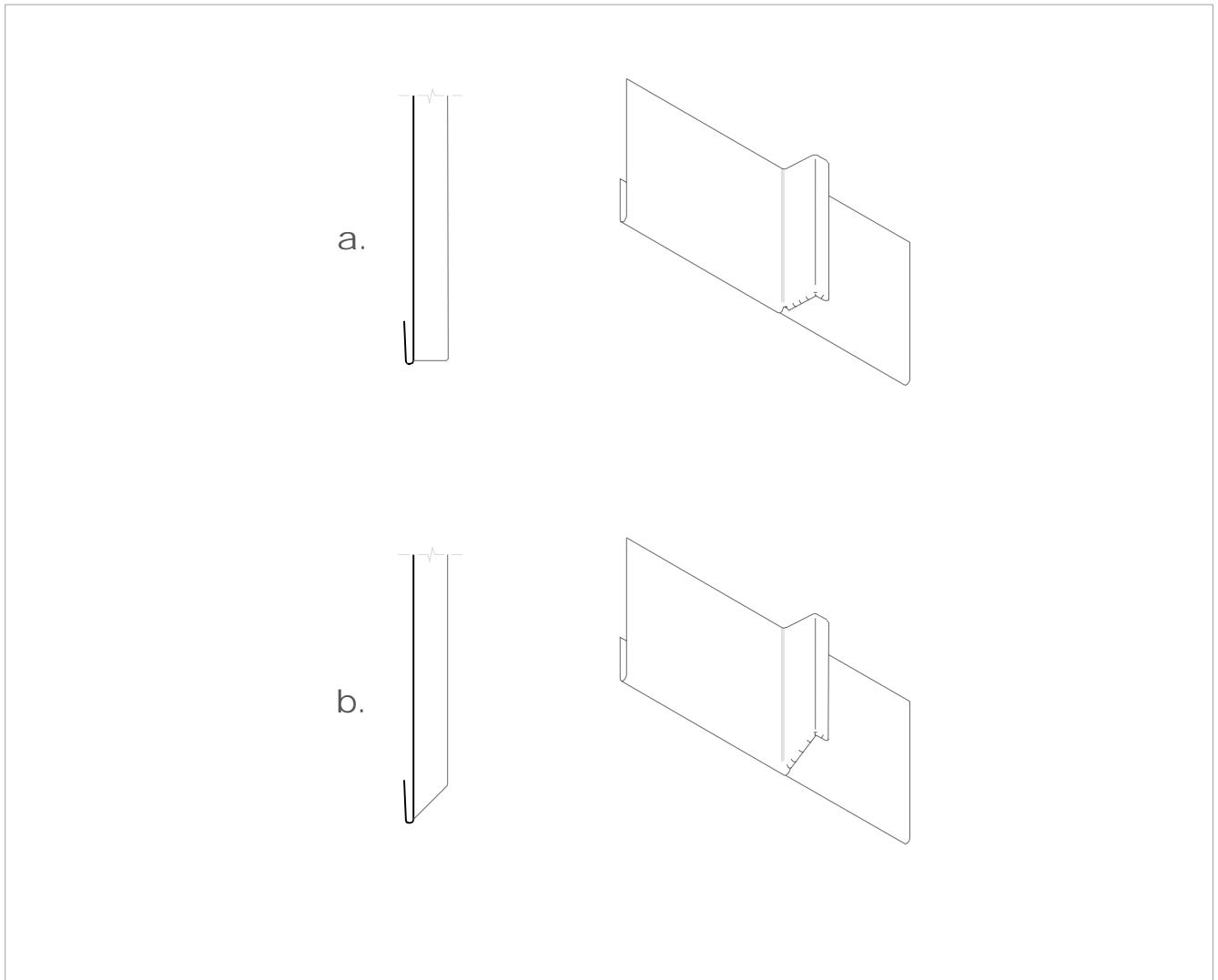


ASS V 1.2.1.01 a y b Finishing at ends of seam (Simple square end).



All dimensions are indicative unless specified on the drawing
Sheet thickness may be exaggerated for clarity

Scale 1/5

Notes:

1. elZinc® cladding
2. Membrane
3. Structural underlay
4. Folded galvanised steel profiles
5. elZinc® perforated sheet
6. elZinc® retention profile
7. Insulation
8. Wooden batten
9. Wall bracket
10. Substrate