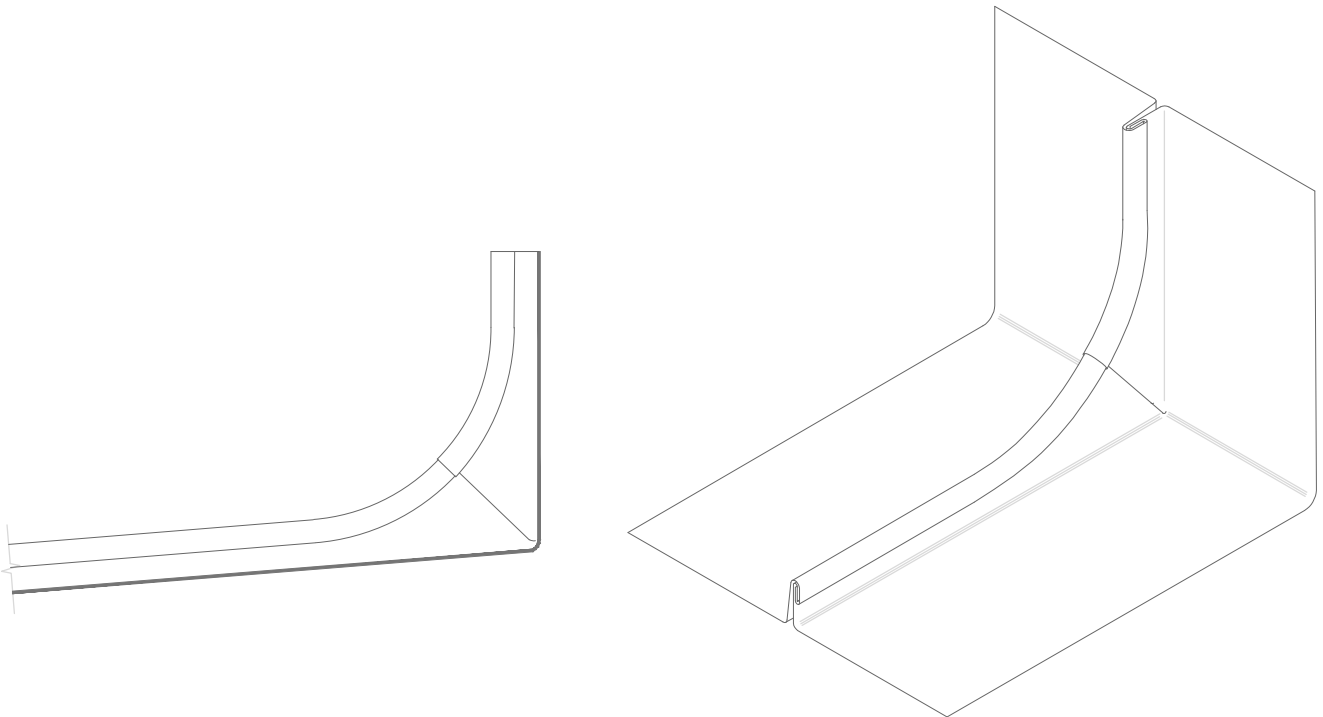


DLSS 1.2.2.04 Swept upstand.



Scale 1/4

All dimensions are indicative unless specified on the drawing
Sheet thickness may be exaggerated for clarity

Notes:

- Can be used for tall upstands, at least 150mm high.
- Requires skilled labour to complete.
- A variation of the detail is commonly used in some countries for outside corners (corners of chimneys etc.)

1. elZinc® cladding
2. Membrane
3. Structural underlay
4. Folded galvanised steel profiles
5. elZinc® perforated sheet
6. elZinc® retention profile
7. Insulation
8. elZinc® hung gutter
9. Gutter clip
10. Gutter bracket
11. elZinc® clip
12. Substrate