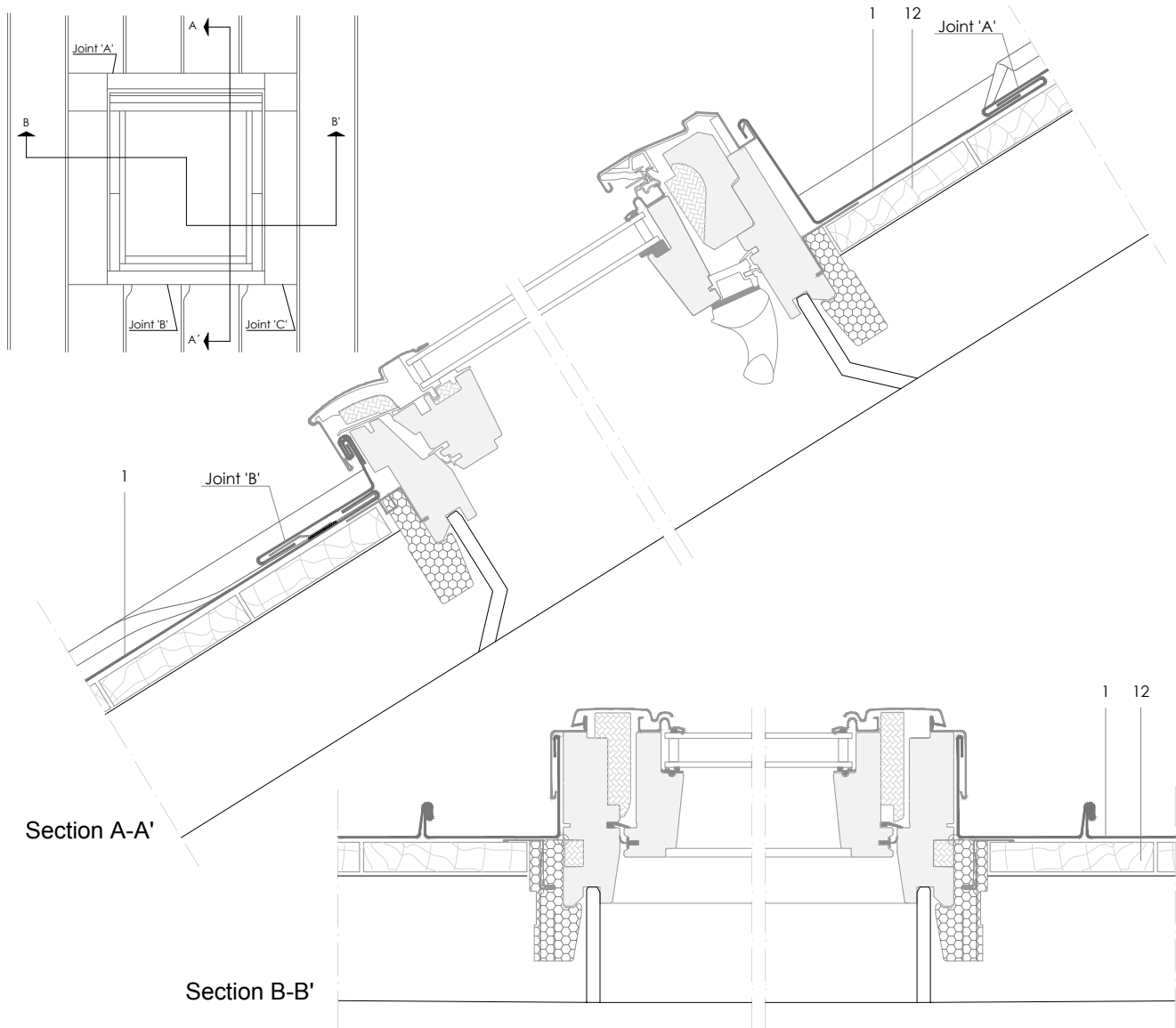


DLSS 12.1.01 Velux normal installation, sections.



All dimensions are indicative unless specified on the drawing  
Sheet thickness may be exaggerated for clarity

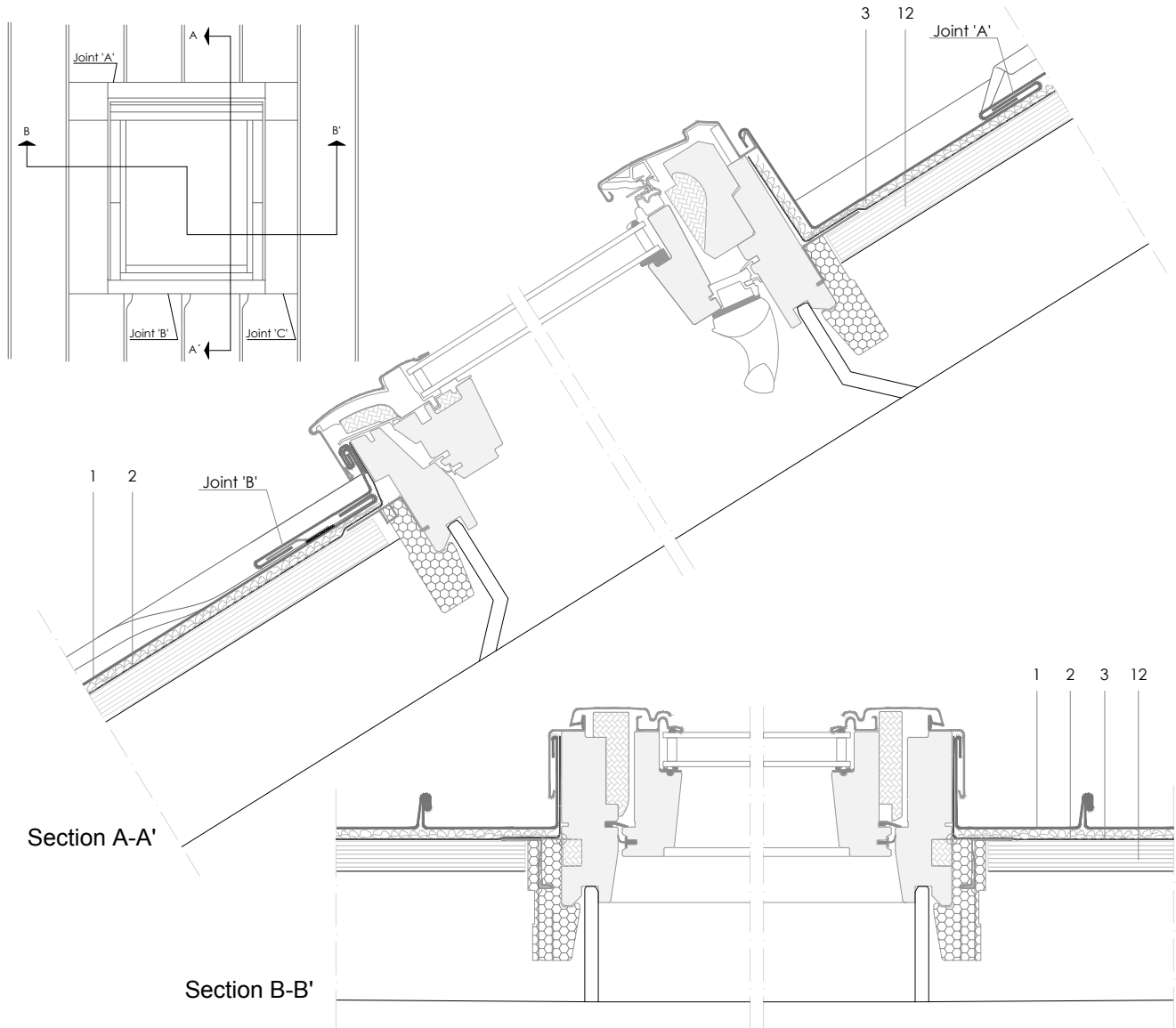
Scale 1/5

Notes:

- Velux window shown with proprietary flashings - minimum pitch 15° - and insulation collar - for more details and the correct installation of the window, consult Velux.
- Joint 'A', 'B' and 'C': according to the Velux flashing system.
- Use elZinc® fluxes and strippers when preparing the material for soldering.
- The substrate is not shown in the general schematic for clarity.
- Velux window sections reproduced courtesy of VELUX.

1. elZinc® cladding
2. Membrane
3. Structural underlay
4. Folded galvanised steel profiles
5. elZinc® perforated sheet
6. elZinc® retention profile
7. Insulation
8. elZinc® hung gutter
9. Gutter clip
10. Gutter bracket
11. elZinc® clip
12. Substrate

DLSS 12.1.01 Velux normal installation, sections.



All dimensions are indicative unless specified on the drawing  
Sheet thickness may be exaggerated for clarity

Scale 1/5

Notes:

- Velux window shown with proprietary flashings - minimum pitch 15° - and insulation collar - for more details and the correct installation of the window, consult Velux.
- Joint 'A', 'B' and 'C': according to the Velux flashing system.
- Use elZinc® fluxes and strippers when preparing the material for soldering.
- The substrate is not shown in the general schematic for clarity.
- Velux window sections reproduced courtesy of VELUX.

1. elZinc® cladding
2. Membrane
3. Structural underlay
4. Folded galvanised steel profiles
5. elZinc® perforated sheet
6. elZinc® retention profile
7. Insulation
8. elZinc® hung gutter
9. Gutter clip
10. Gutter bracket
11. elZinc® clip
12. Substrate