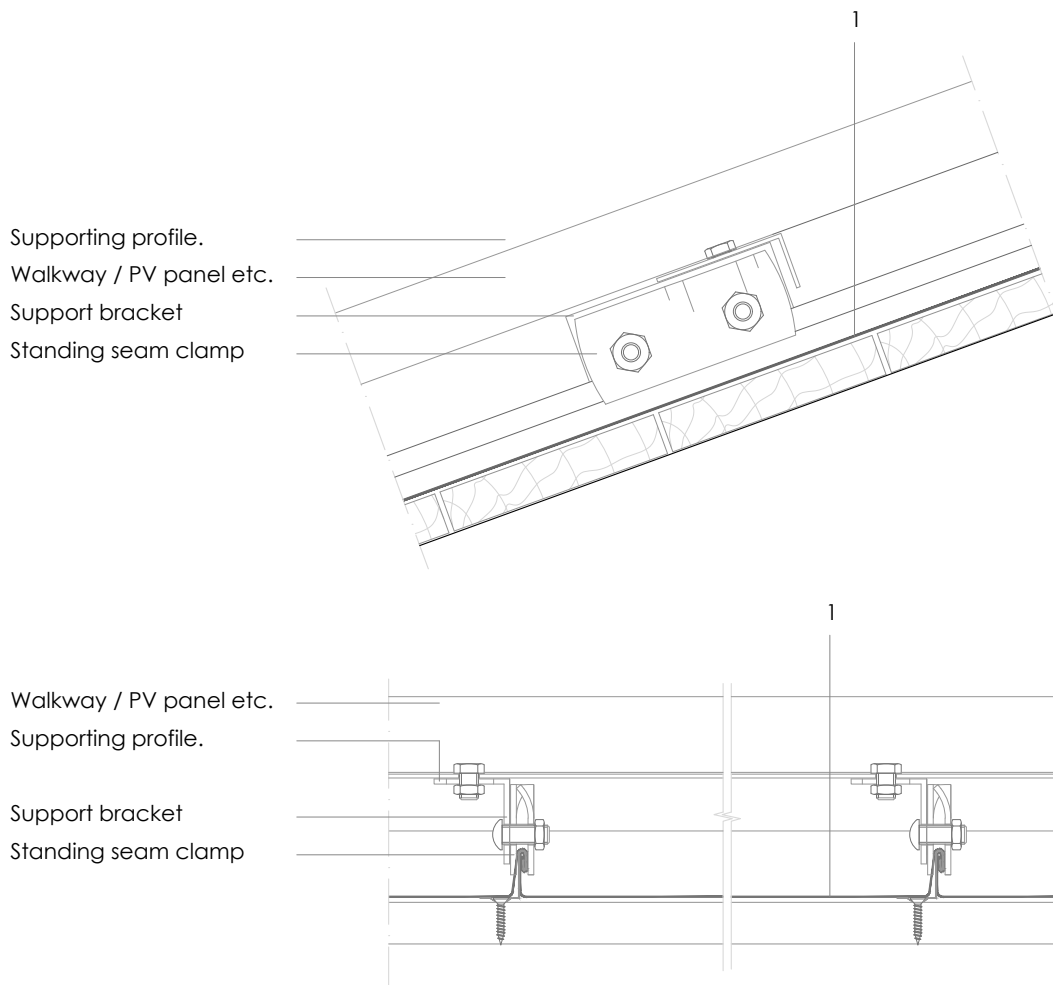


DLSS 15.1.02 Walkway or PV panel installation.



All dimensions are indicative unless specified on the drawing
Sheet thickness may be exaggerated for clarity

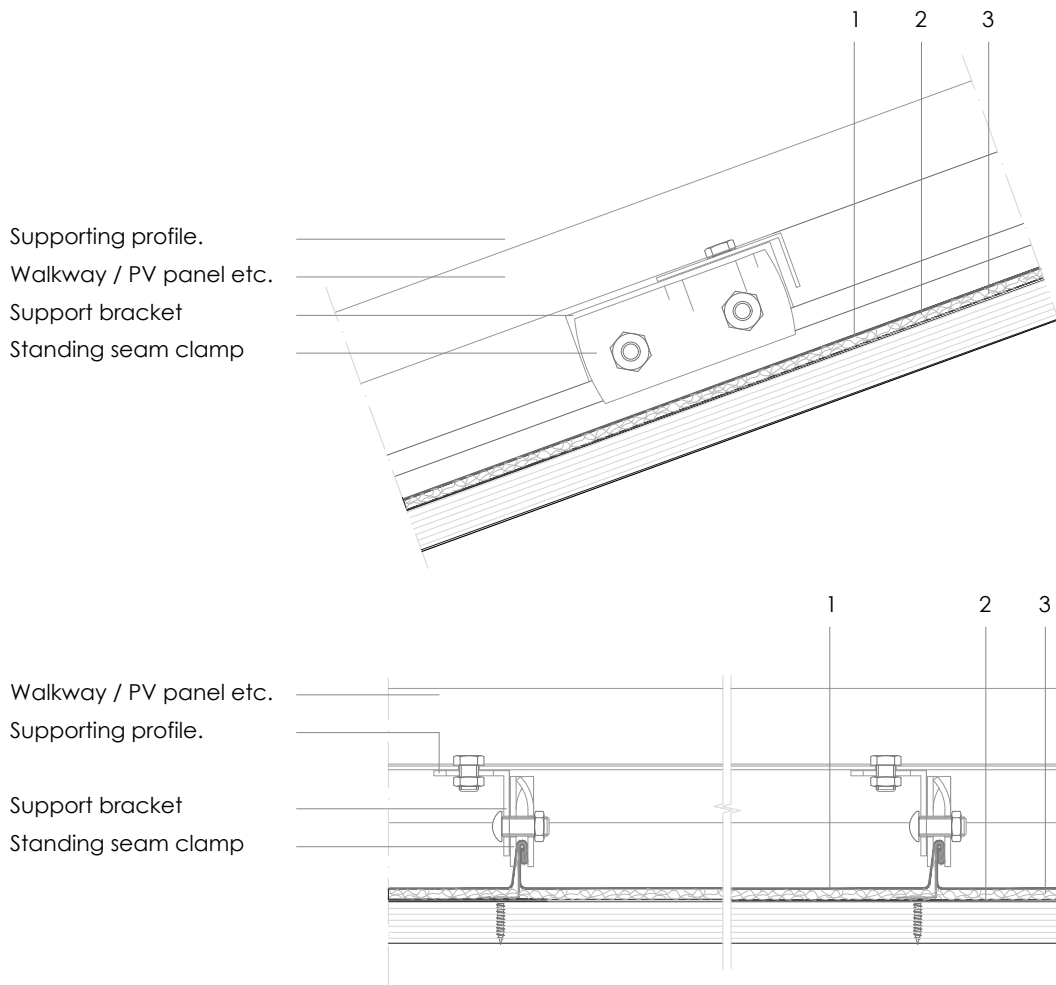
Scale 1/4

Notes:

- This type of system does not perforate the zinc roof, and allows thermal expansion and contraction of the standing seam trays.
- Exact system characteristics can vary according to manufacturer.
- Follow manufacturer's recommendations regarding installation.
- Follow manufacturers guidelines regarding standing seam clip centres (and their pull-out values) near the clamp locations.

1. elZinc® cladding
2. Membrane
3. Structural underlay
4. Folded galvanised steel profiles
5. elZinc® perforated sheet
6. elZinc® retention profile
7. Insulation
8. elZinc® hung gutter
9. Gutter clip
10. Gutter bracket
11. elZinc® clip
12. Substrate

DLSS 15.2.01 Walkway or PV panel installation.



All dimensions are indicative unless specified on the drawing
Sheet thickness may be exaggerated for clarity

Scale 1/4

Notes:

- This type of system does not perforate the zinc roof, and allows thermal expansion and contraction of the standing seam trays.
- Exact system characteristics can vary according to manufacturer.
- Follow manufacturer's recommendations regarding installation.
- Follow manufacturers guidelines regarding standing seam clip centres (and their pull-out values) near the clamp locations.

1. elZinc® cladding
2. Membrane
3. Structural underlay
4. Folded galvanised steel profiles
5. elZinc® perforated sheet
6. elZinc® retention profile
7. Insulation
8. elZinc® hung gutter
9. Gutter clip
10. Gutter bracket
11. elZinc® clip
12. Substrate