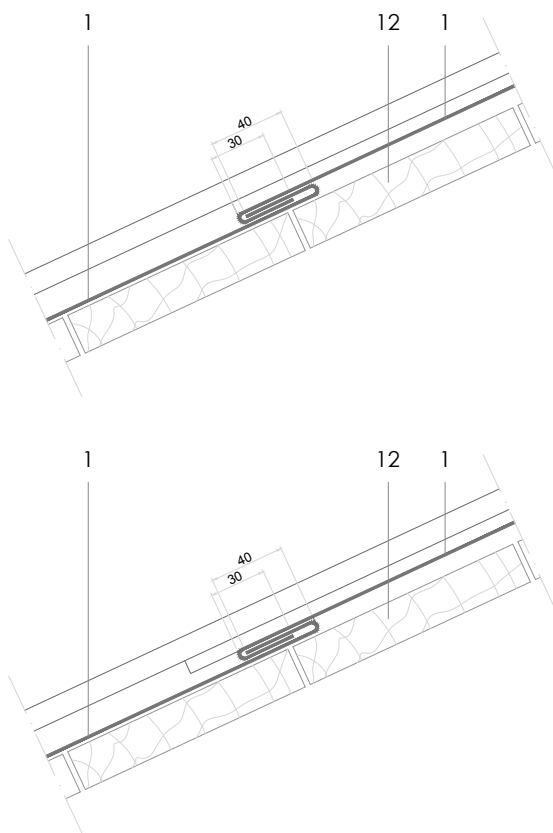
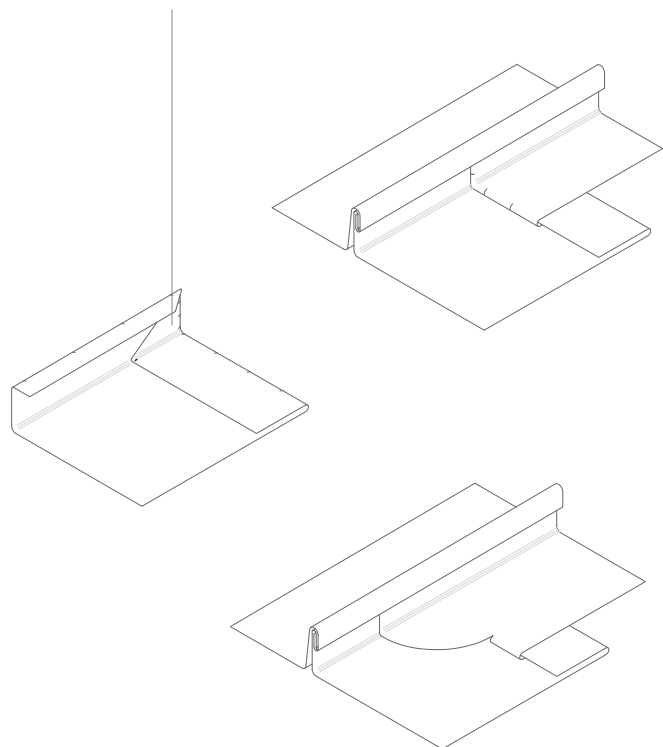


DLSS 2.1.01 Single lock cross welt.



Cross welt underlock taken up standing seam



Scale 1/4

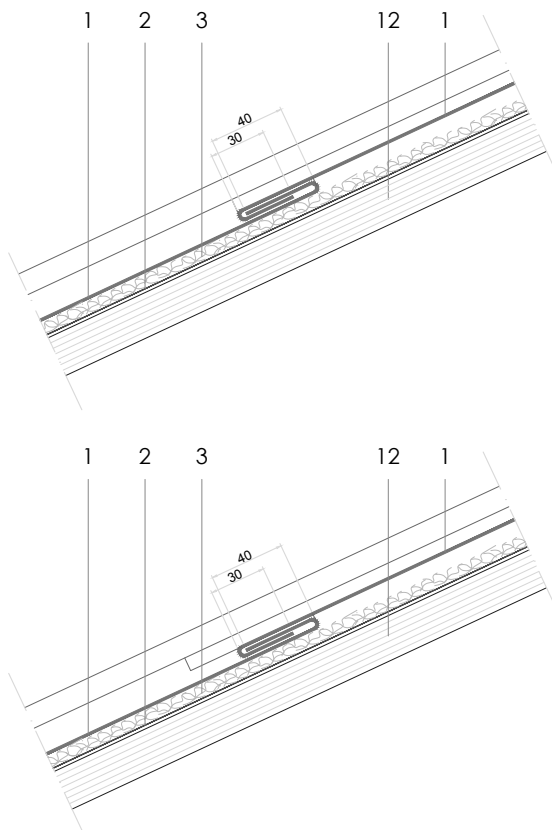
All dimensions are indicative unless specified on the drawing
Sheet thickness may be exaggerated for clarity

Notes:

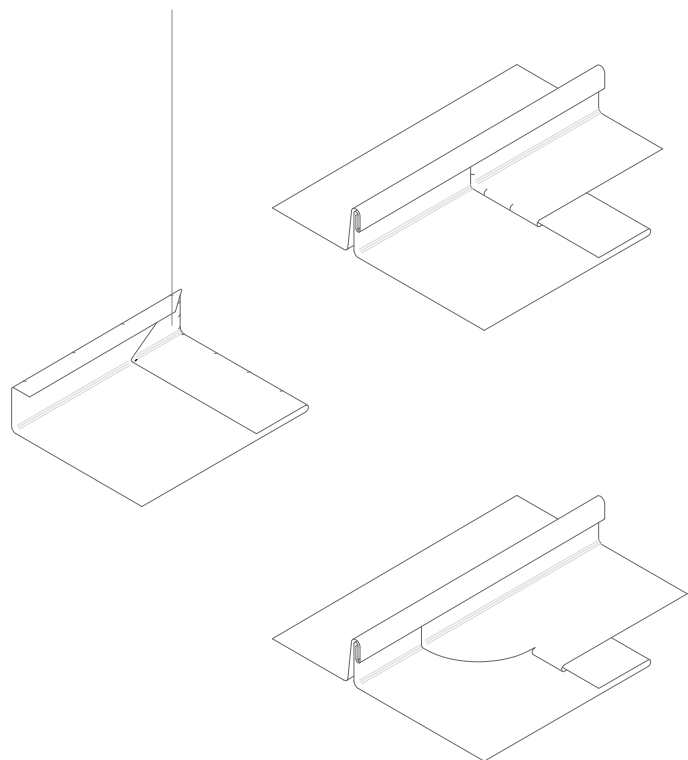
- Minimum recommended pitch: 25°

1. elZinc® cladding
2. Membrane
3. Structural underlay
4. Folded galvanised steel profiles
5. elZinc® perforated sheet
6. elZinc® retention profile
7. Insulation
8. elZinc® hung gutter
9. Gutter clip
10. Gutter bracket
11. elZinc® clip
12. Substrate

DLSS 2.1.01 Single lock cross welt.



Cross welt underlock taken up standing seam



Scale 1/4

All dimensions are indicative unless specified on the drawing
Sheet thickness may be exaggerated for clarity

Notes:

- Minimum recommended pitch: 25°

1. elZinc® cladding
2. Membrane
3. Structural underlay
4. Folded galvanised steel profiles
5. elZinc® perforated sheet
6. elZinc® retention profile
7. Insulation
8. elZinc® hung gutter
9. Gutter clip
10. Gutter bracket
11. elZinc® clip
12. Substrate