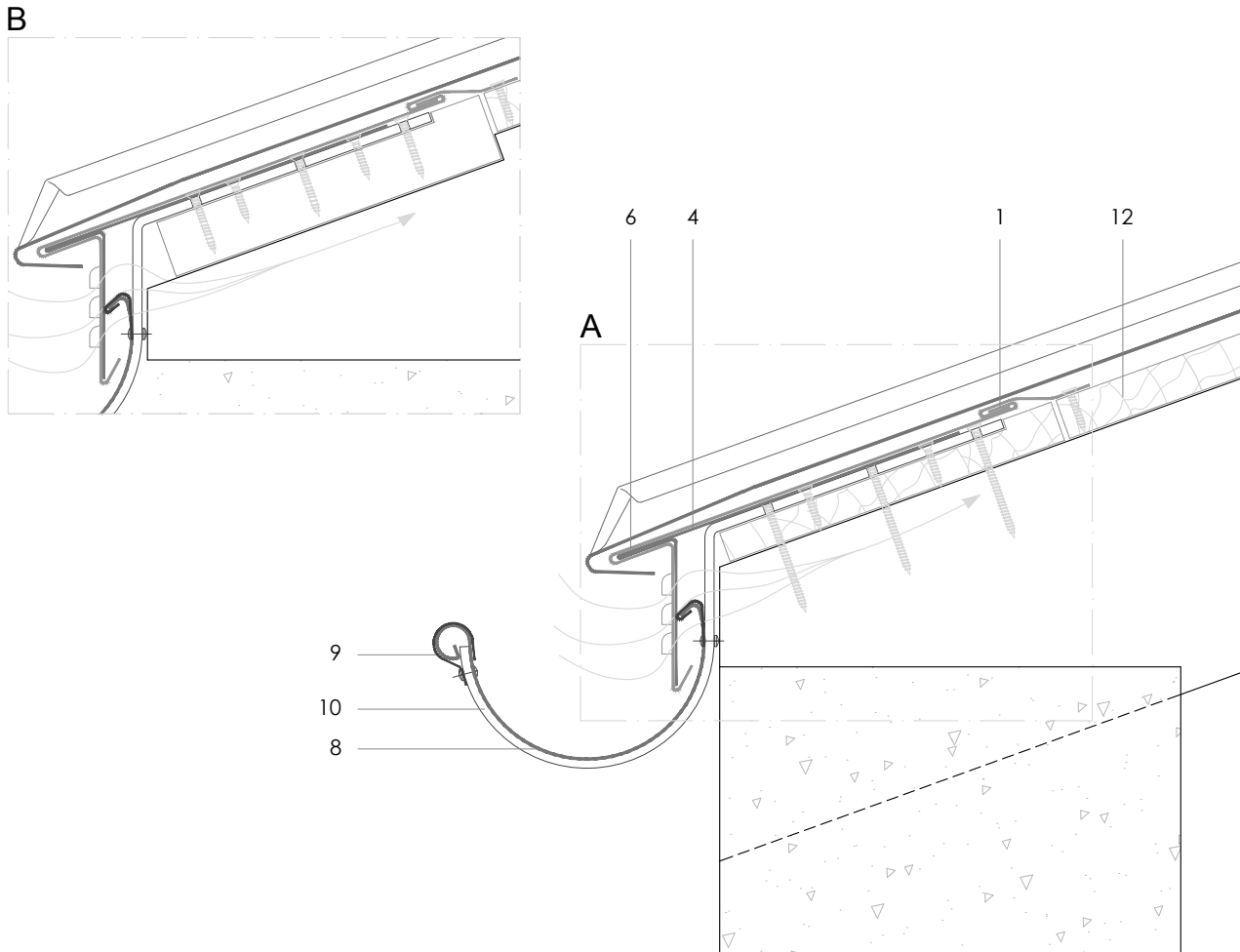


DLSS 3.2.1.03 Half round eaves gutter (over solid wall).



All dimensions are indicative unless specified on the drawing  
Sheet thickness may be exaggerated for clarity

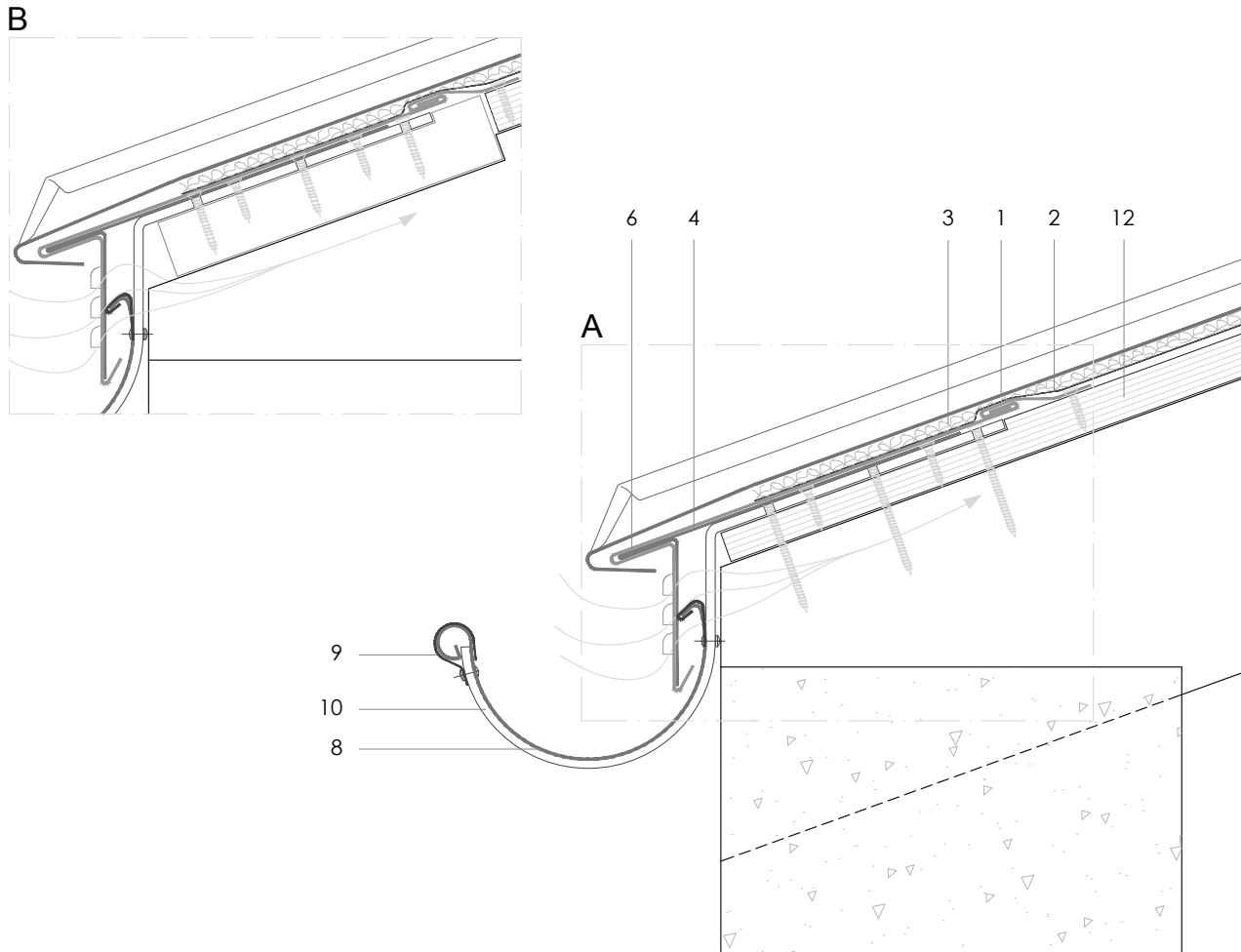
Scale 1/4

Notes:

- Foot of seam shown finished according to DLSS 1.2.1.02a. See DLSS 1.2.1.02b to 1.2.1.05c for alternatives.
- 'A' shows gutter brackets rebated into substrate, and fixed through to rafters with long screws. As a consequence, brackets will not line up with standing seams.
- 'B' shows gutter brackets rebated into and fixed to continuous thicker eaves board enabling brackets to line up with standing seams if desired.
- A box section gutter profile can be used as an alternative to half round.
- Outline structural details are shown for indicative purposes only.

1. elZinc® cladding
2. Membrane
3. Structural underlay
4. Folded galvanised steel profiles
5. elZinc® perforated sheet
6. elZinc® retention profile
7. Insulation
8. elZinc® hung gutter
9. Gutter clip
10. Gutter bracket
11. elZinc® clip
12. Substrate

DLSS 3.2.1.03 Half round eaves gutter (over solid wall).



All dimensions are indicative unless specified on the drawing  
Sheet thickness may be exaggerated for clarity

Scale 1/4

Notes:

- Foot of seam shown finished according to DLSS 1.2.1.02a. See DLSS 1.2.1.02b to 1.2.1.05c for alternatives.
- 'A' shows gutter brackets rebated into substrate, and fixed through to rafters with long screws. As a consequence, brackets will not line up with standing seams.
- 'B' shows gutter brackets rebated into and fixed to continuous thicker eaves board enabling brackets to line up with standing seams if desired.
- A box section gutter profile can be used as an alternative to half round.
- Outline structural details are shown for indicative purposes only.

1. elZinc® cladding
2. Membrane
3. Structural underlay
4. Folded galvanised steel profiles
5. elZinc® perforated sheet
6. elZinc® retention profile
7. Insulation
8. elZinc® hung gutter
9. Gutter clip
10. Gutter bracket
11. elZinc® clip
12. Substrate