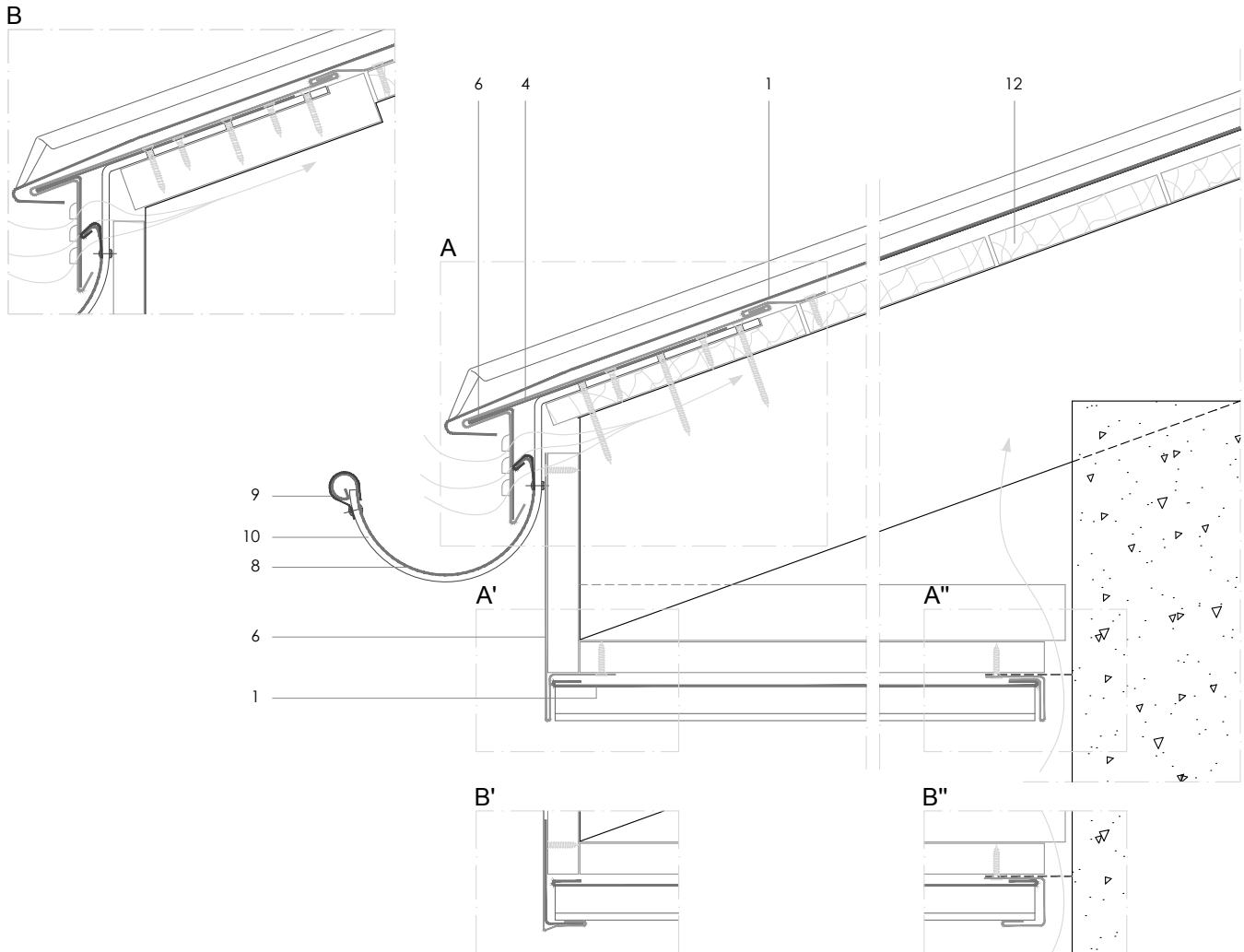


DLSS 3.2.1.05 Half round eaves gutter (over wooden fascia and zinc soffit).



All dimensions are indicative unless specified on the drawing
Sheet thickness may be exaggerated for clarity

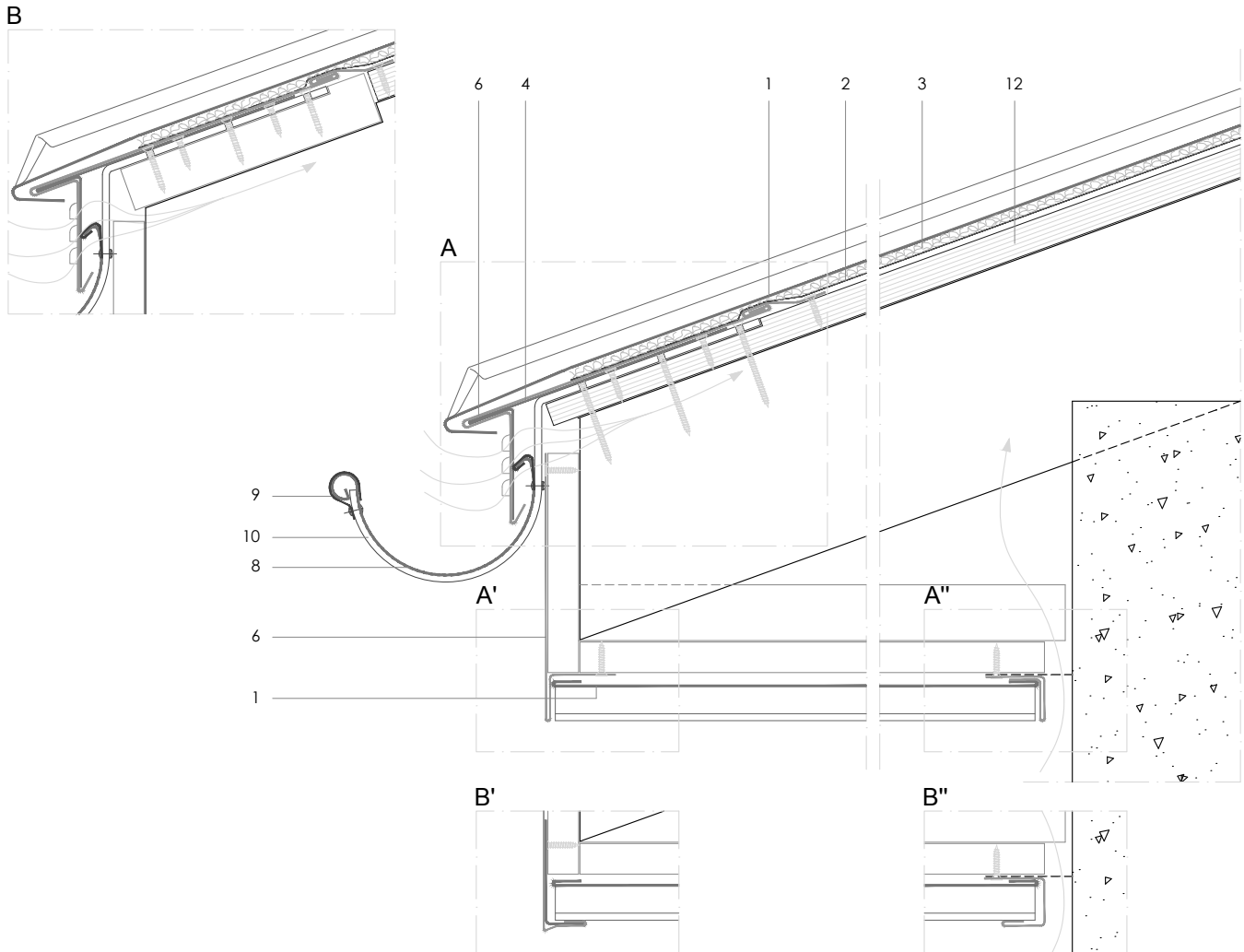
Scale 1/5

Notes:

- Foot of seam shown finished according to DLSS 1.2.1.02a. See DLSS 1.2.1.02b to 1.2.1.05c for alternatives.
- 'A' shows gutter brackets rebated into substrate, fixed through to rafters. As a consequence, brackets will not line up with standing seams.
- 'B' shows gutter brackets rebated into and fixed to continuous thicker eaves board enabling brackets to line up with standing seams if desired.
- A box section gutter profile can be used as an alternative to half round.
- A' - A'' and B' - B'' show visual alternatives of treating the edges of the standing seam soffit.
- Outline structural details are shown for indicative purposes only.

1. elZinc® cladding
2. Membrane
3. Structural underlay
4. Folded galvanised steel profiles
5. elZinc® perforated sheet
6. elZinc® retention profile
7. Insulation
8. elZinc® hung gutter
9. Gutter clip
10. Gutter bracket
11. elZinc® clip
12. Substrate

DLSS 3.2.1.05 Half round eaves gutter (over wooden fascia and zinc soffit).



All dimensions are indicative unless specified on the drawing
Sheet thickness may be exaggerated for clarity

Scale 1/5

Notes:

- Foot of seam shown finished according to DLSS 1.2.1.02a. See DLSS 1.2.1.02b to 1.2.1.05c for alternatives.
- 'A' shows gutter brackets rebated into substrate, fixed through to rafters. As a consequence, brackets will not line up with standing seams.
- 'B' shows gutter brackets rebated into and fixed to continuous thicker eaves board enabling brackets to line up with standing seams if desired.
- A box section gutter profile can be used as an alternative to half round.
- A' - A'' and B' - B'' show visual alternatives of treating the edges of the standing seam soffit.
- Outline structural details are shown for indicative purposes only.

1. elZinc® cladding
2. Membrane
3. Structural underlay
4. Folded galvanised steel profiles
5. elZinc® perforated sheet
6. elZinc® retention profile
7. Insulation
8. elZinc® hung gutter
9. Gutter clip
10. Gutter bracket
11. elZinc® clip
12. Substrate