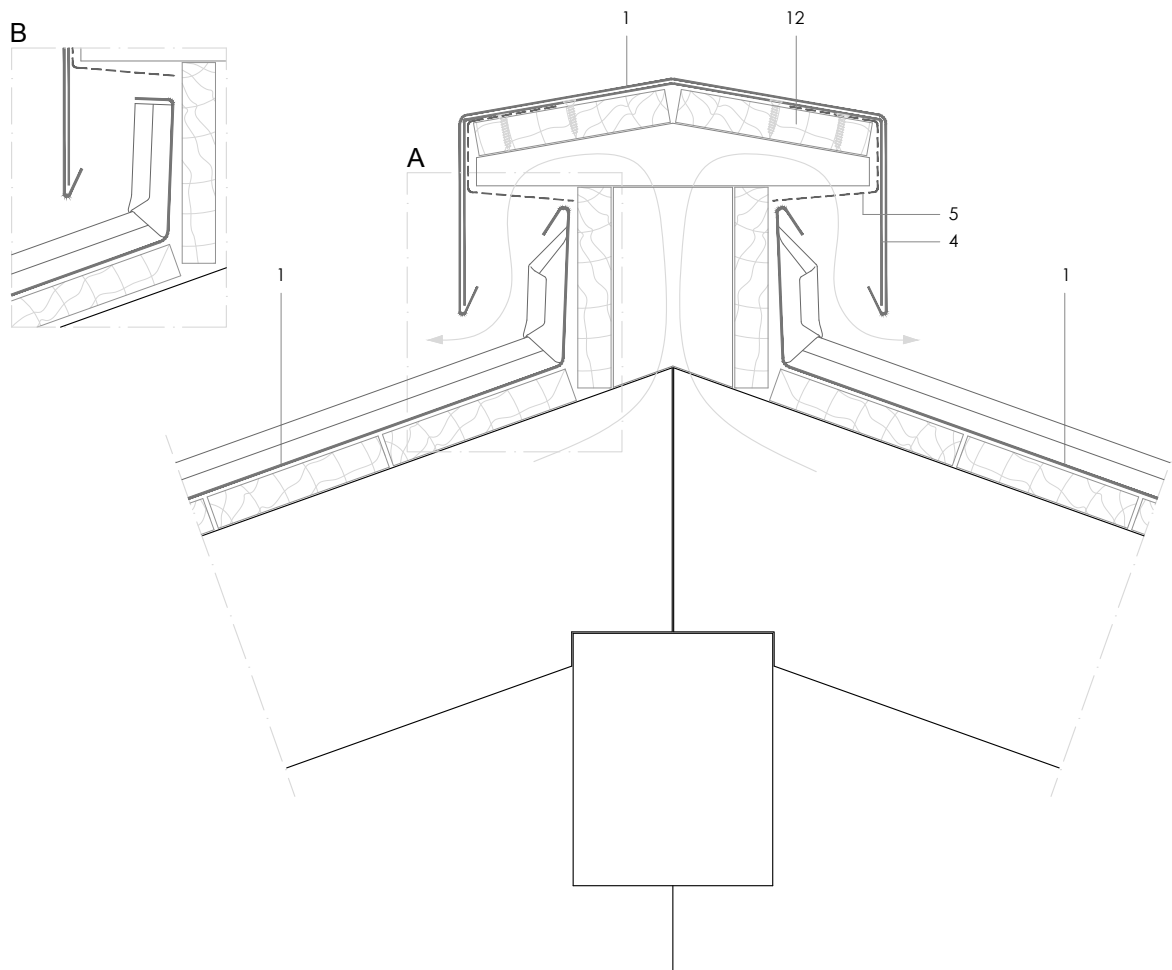


DLSS 4.1.01 Ventilated ridge.



All dimensions are indicative unless specified on the drawing  
Sheet thickness may be exaggerated for clarity

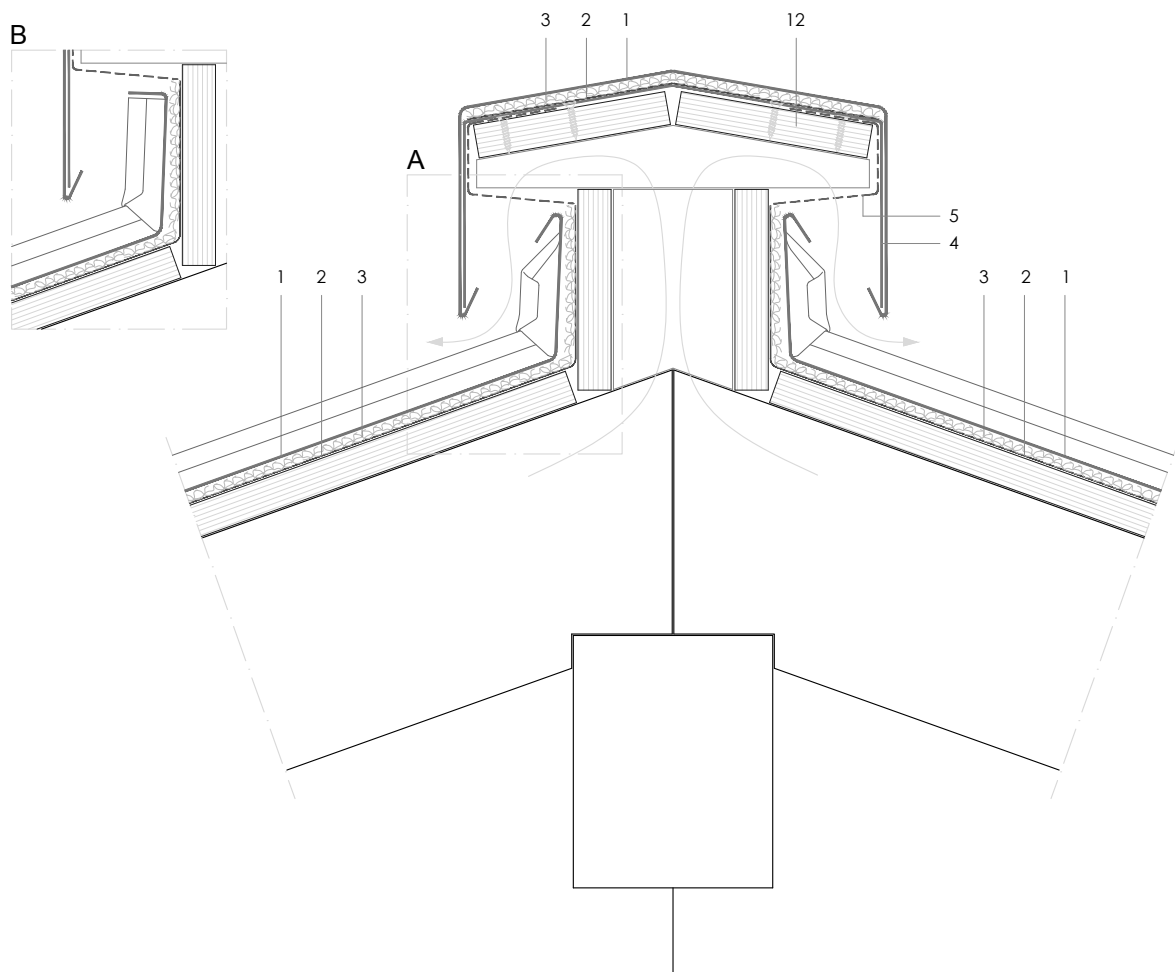
Scale 1/5

Notes:

- Head of seam shown finished according to DLSS 1.2.2.03a. See DLSS 1.2.2.01 and 1.2.2.03b for alternatives.
- 'A' shows top of seam closed for extra weatherability and is recommended for very exposed roofs.
- 'B' shows typical detail.
- Outline structural details are shown for indicative purposes only.

1. elZinc® cladding
2. Membrane
3. Structural underlay
4. Folded galvanised steel profiles
5. elZinc® perforated sheet
6. elZinc® retention profile
7. Insulation
8. elZinc® hung gutter
9. Gutter clip
10. Gutter bracket
11. elZinc® clip
12. Substrate

DLSS 4.1.01 Ventilated ridge.



All dimensions are indicative unless specified on the drawing  
Sheet thickness may be exaggerated for clarity

Scale 1/5

Notes:

- Head of seam shown finished according to DLSS 1.2.2.03a. See DLSS 1.2.2.01 and 1.2.2.03b for alternatives.
- 'A' shows top of seam closed for extra weatherability and is recommended for very exposed roofs.
- 'B' shows typical detail.
- Outline structural details are shown for indicative purposes only.

1. elZinc® cladding
2. Membrane
3. Structural underlay
4. Folded galvanised steel profiles
5. elZinc® perforated sheet
6. elZinc® retention profile
7. Insulation
8. elZinc® hung gutter
9. Gutter clip
10. Gutter bracket
11. elZinc® clip
12. Substrate