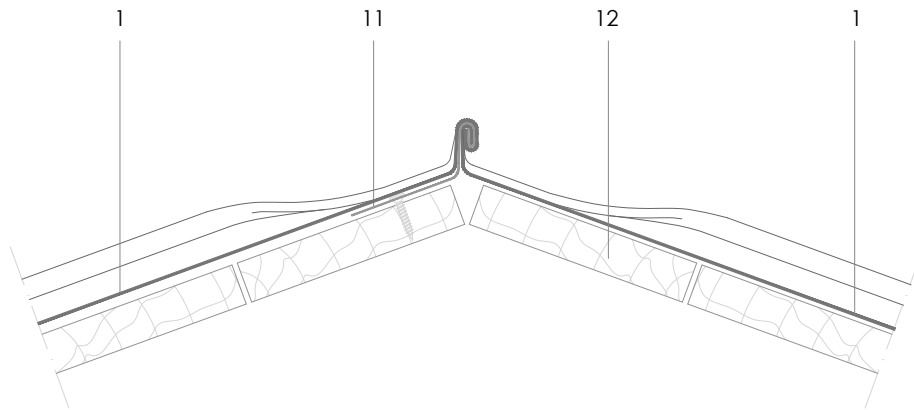


DLSS 5.2.03 Standing seam hip.



All dimensions are indicative unless specified on the drawing
Sheet thickness may be exaggerated for clarity

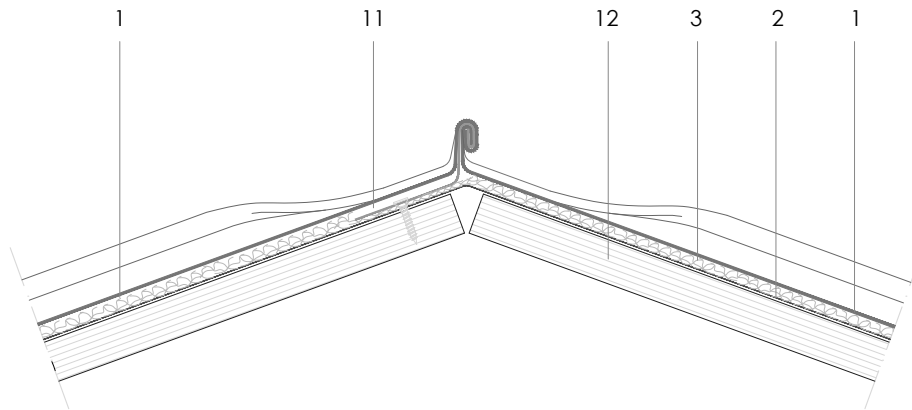
Scale 1/4

Notes:

- Used on non-vented roofs or vented roofs where the tops of the hip rafters are notched to allow these bays to ventilate out at the ridge. Alternatively ventilation hoods can be installed at the top of each bay on a vented roof.
- Does not allow for 'herring bone' hip since seams must be offset either side of the hip. Head of seam finished according to DLSS 1.2.2.01

1. elZinc® cladding
2. Membrane
3. Structural underlay
4. Folded galvanised steel profiles
5. elZinc® perforated sheet
6. elZinc® retention profile
7. Insulation
8. elZinc® hung gutter
9. Gutter clip
10. Gutter bracket
11. elZinc® clip
12. Substrate

DLSS 5.2.03 Standing seam hip.



All dimensions are indicative unless specified on the drawing
Sheet thickness may be exaggerated for clarity

Scale 1/4

Notes:

- Used on non-vented roofs or vented roofs where the tops of the hip rafters are notched to allow these bays to ventilate out at the ridge. Alternatively ventilation hoods can be installed at the top of each bay on a vented roof.
- Do not allow for 'herring bone' hip since seams must be offset either side of the hip. Head of seam finished according to DLSS 1.2.2.01.

1. elZinc® cladding
2. Membrane
3. Structural underlay
4. Folded galvanised steel profiles
5. elZinc® perforated sheet
6. elZinc® retention profile
7. Insulation
8. elZinc® hung gutter
9. Gutter clip
10. Gutter bracket
11. elZinc® clip
12. Substrate