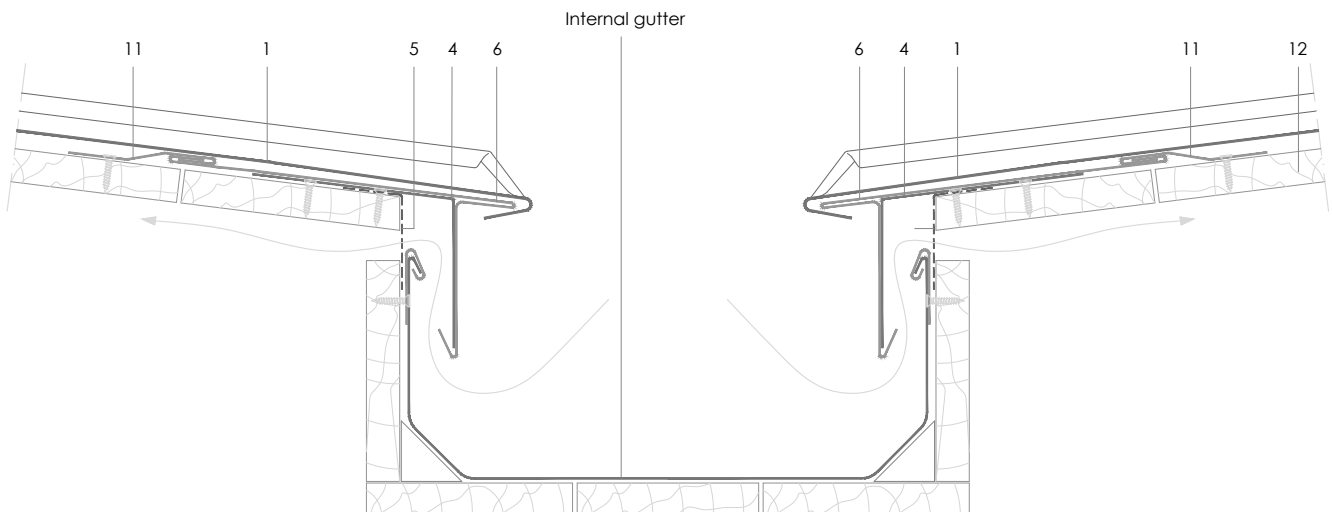


DLSS 10.1.03 Vented internal recessed gutter (between pitched roofs).



All dimensions are indicative unless specified on the drawing  
Sheet thickness may be exaggerated for clarity

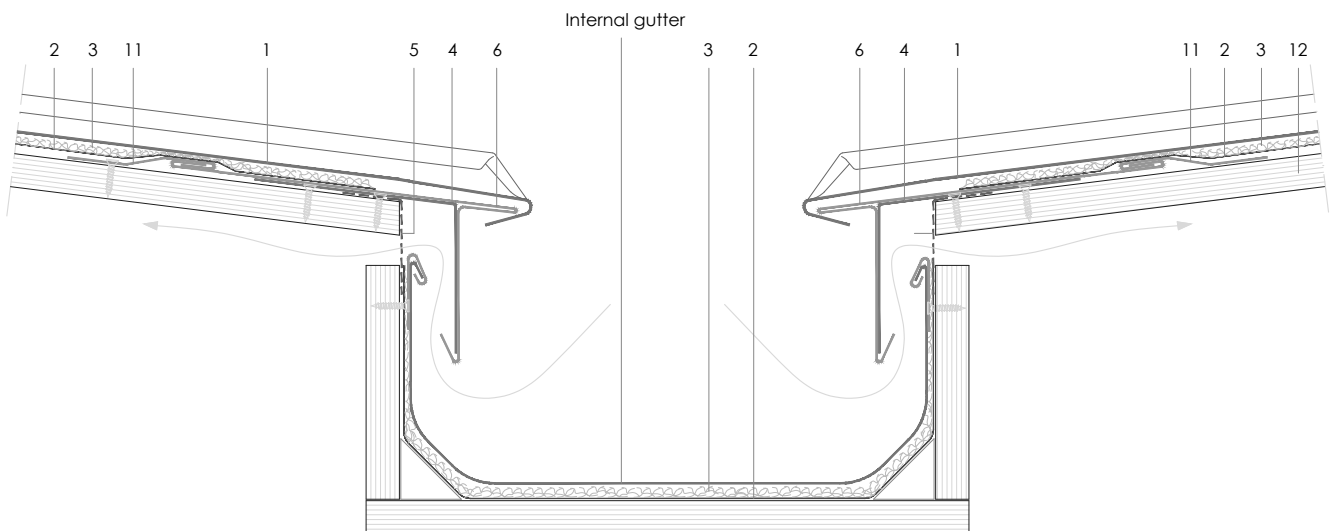
Scale 1/5

Notes:

- Standing seam ends shown finished according to DLSS 1.2.1.02a.
- Typical alternatives: 1.2.1.01a, 1.2.1.02b, 1.2.1.04 and 1.2.1.05a to c.

1. elZinc® cladding
2. Membrane
3. Structural underlay
4. Folded galvanised steel profiles
5. elZinc® perforated sheet
6. elZinc® retention profile
7. Insulation
8. elZinc® hung gutter
9. Gutter clip
10. Gutter bracket
11. elZinc® clip
12. Substrate

DLSS 10.1.03 Vented internal recessed gutter (between pitched roofs).



Scale 1/5

All dimensions are indicative unless specified on the drawing  
Sheet thickness may be exaggerated for clarity

Notes:

- Standing seam ends shown finished according to DLSS 1.2.1.02a.
- Typical alternatives: 1.2.1.01a, 1.2.1.02b, 1.2.1.04 and 1.2.1.05a to c.

1. elZinc® cladding
2. Membrane
3. Structural underlay
4. Folded galvanised steel profiles
5. elZinc® perforated sheet
6. elZinc® retention profile
7. Insulation
8. elZinc® hung gutter
9. Gutter clip
10. Gutter bracket
11. elZinc® clip
12. Substrate