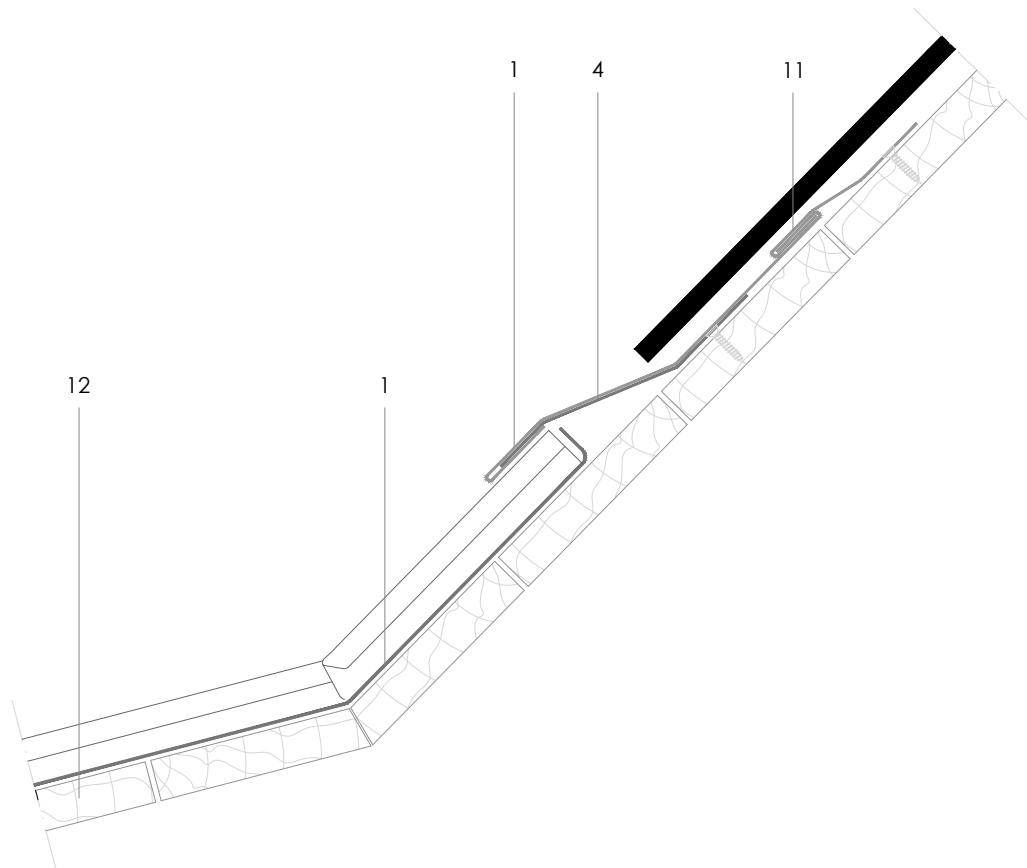


DLSS 9.2.01 Transition from slate roof to elZinc® roof.



All dimensions are indicative unless specified on the drawing
Sheet thickness may be exaggerated for clarity

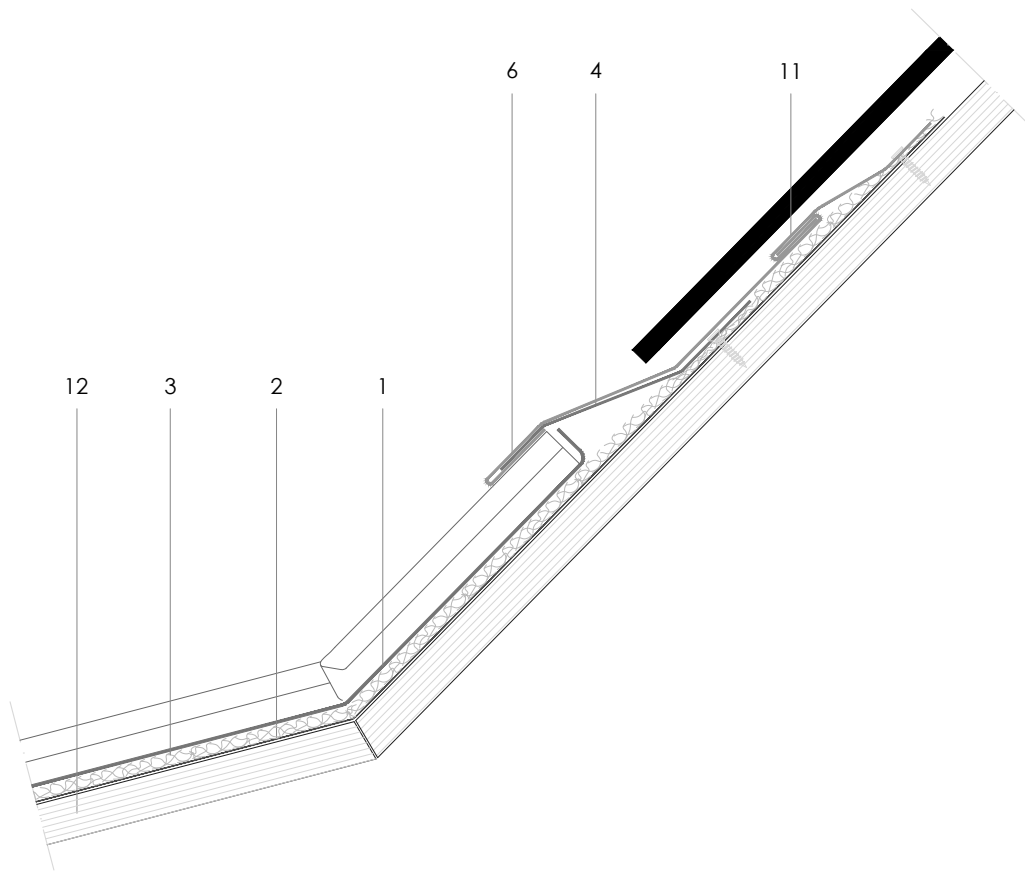
Scale 1/4

Notes:

- Change of pitch carried out using the pinched seam, or simply crimping the standing seam upstands if the angle is shallow enough.

1. elZinc® cladding
2. Membrane
3. Structural underlay
4. Folded galvanised steel profiles
5. elZinc® perforated sheet
6. elZinc® retention profile
7. Insulation
8. elZinc® hung gutter
9. Gutter clip
10. Gutter bracket
11. elZinc® clip
12. Substrate

DLSS 9.2.01 Transition from slate roof to elZinc® roof.



All dimensions are indicative unless specified on the drawing
Sheet thickness may be exaggerated for clarity

Scale 1/4

Notes:

- Change of pitch carried out using the pinched seam, or simply crimping the standing seam upstands if the angle is shallow..

1. elZinc® cladding
2. Membrane
3. Structural underlay
4. Folded galvanised steel profiles
5. elZinc® perforated sheet
6. elZinc® retention profile
7. Insulation
8. elZinc® hung gutter
9. Gutter clip
10. Gutter bracket
11. elZinc® clip
12. Substrate