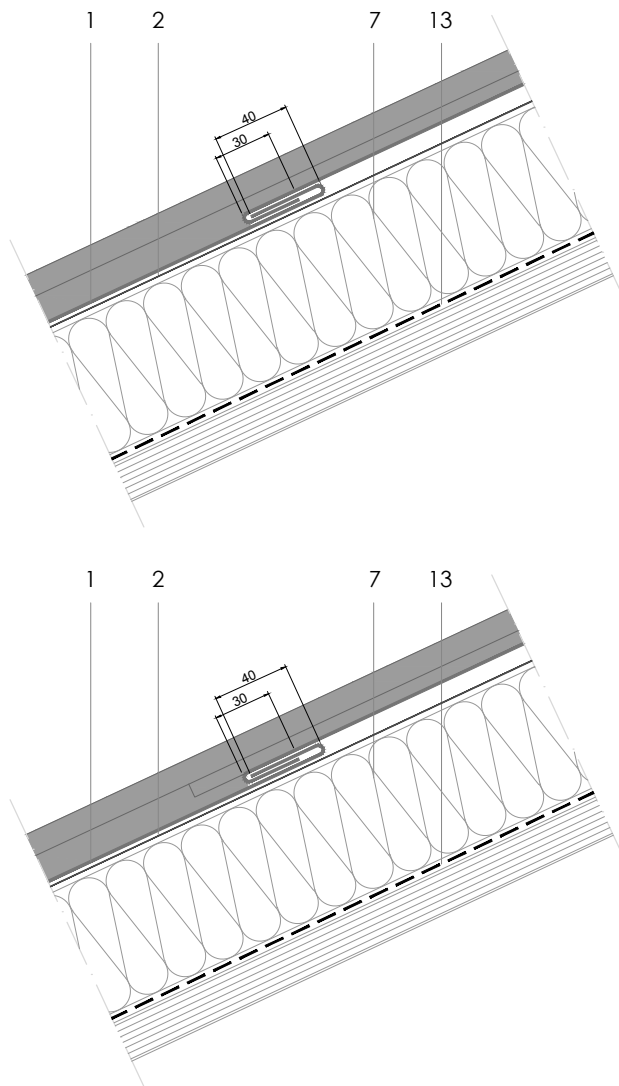
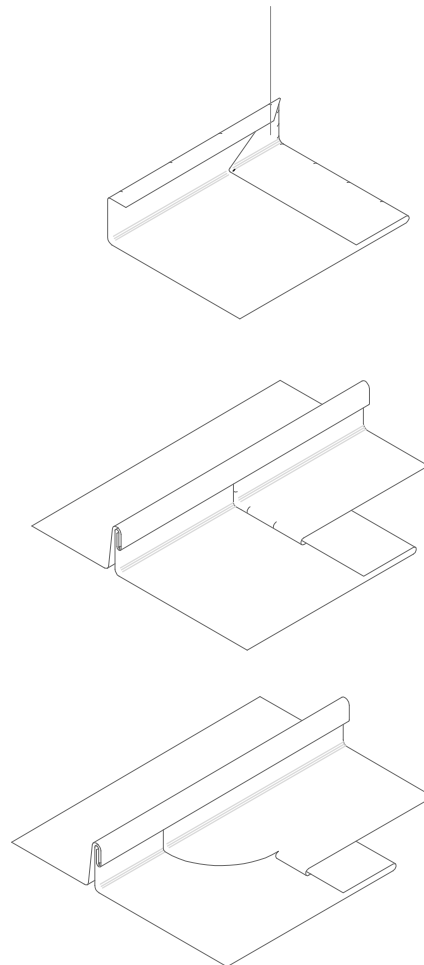


DLSS RI 2.1.01 Single lock cross welt.



Cross welt underlock taken up standing seam



Scale 1/4

All dimensions are indicative unless specified on the drawing
Sheet thickness may be exaggerated for clarity

Notes:

- Minimum recommended pitch: 25°

1. elZinc® cladding Protect+
2. Separating membrane
3. Structural underlay
4. Folded galvanised steel profiles
5. elZinc® perforated sheet
6. elZinc® retention profile
7. Rigid insulation
8. elZinc® hung gutter
9. Gutter clip
10. Gutter bracket
11. elZinc® clip
12. Substrate (Ply or Metal Deck)
13. High performance vapour barrier
14. Rigid insulation fixing clip