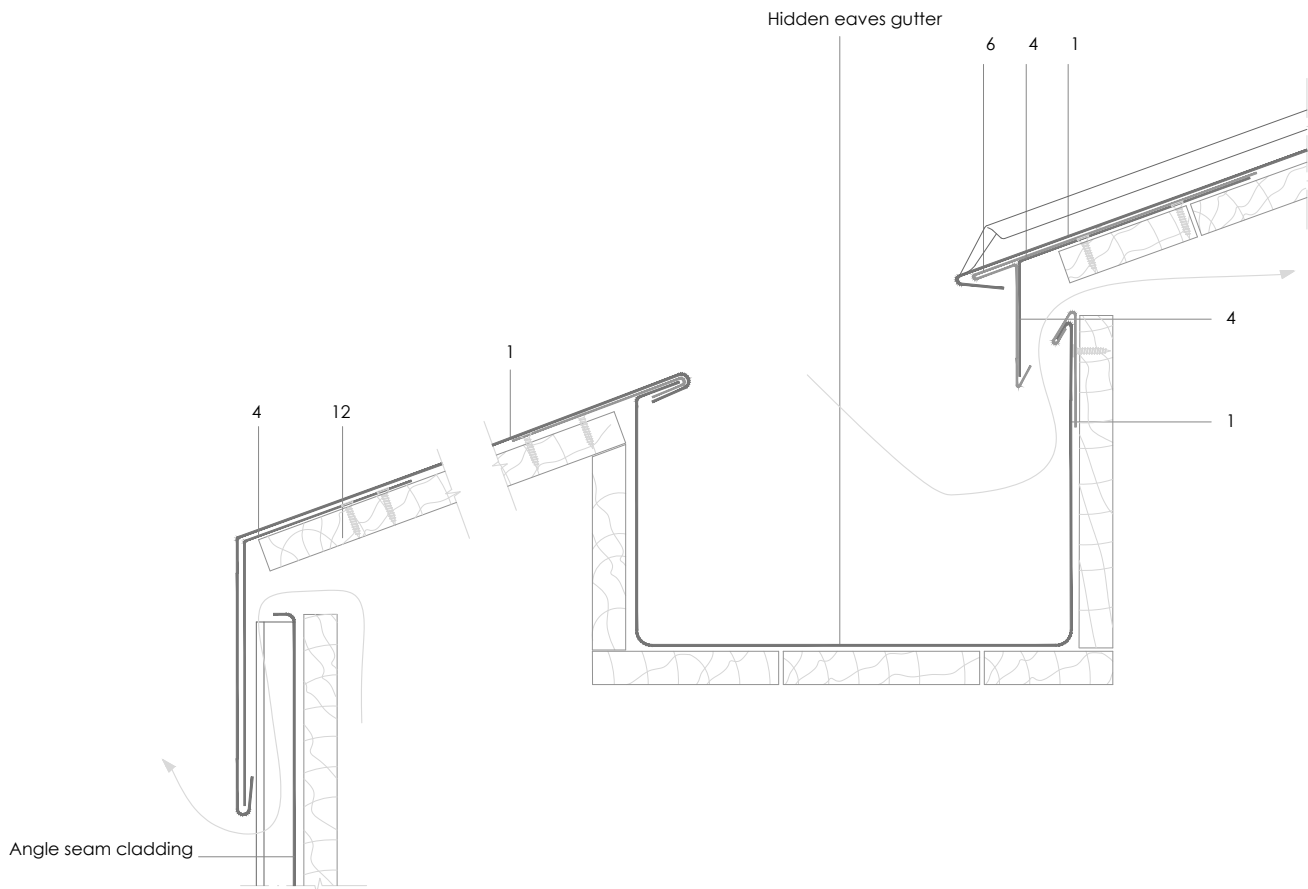


DLSS 3.4.01a Hidden boxed eaves gutter (over zinc fascia).



All dimensions are indicative unless specified on the drawing  
Sheet thickness may be exaggerated for clarity

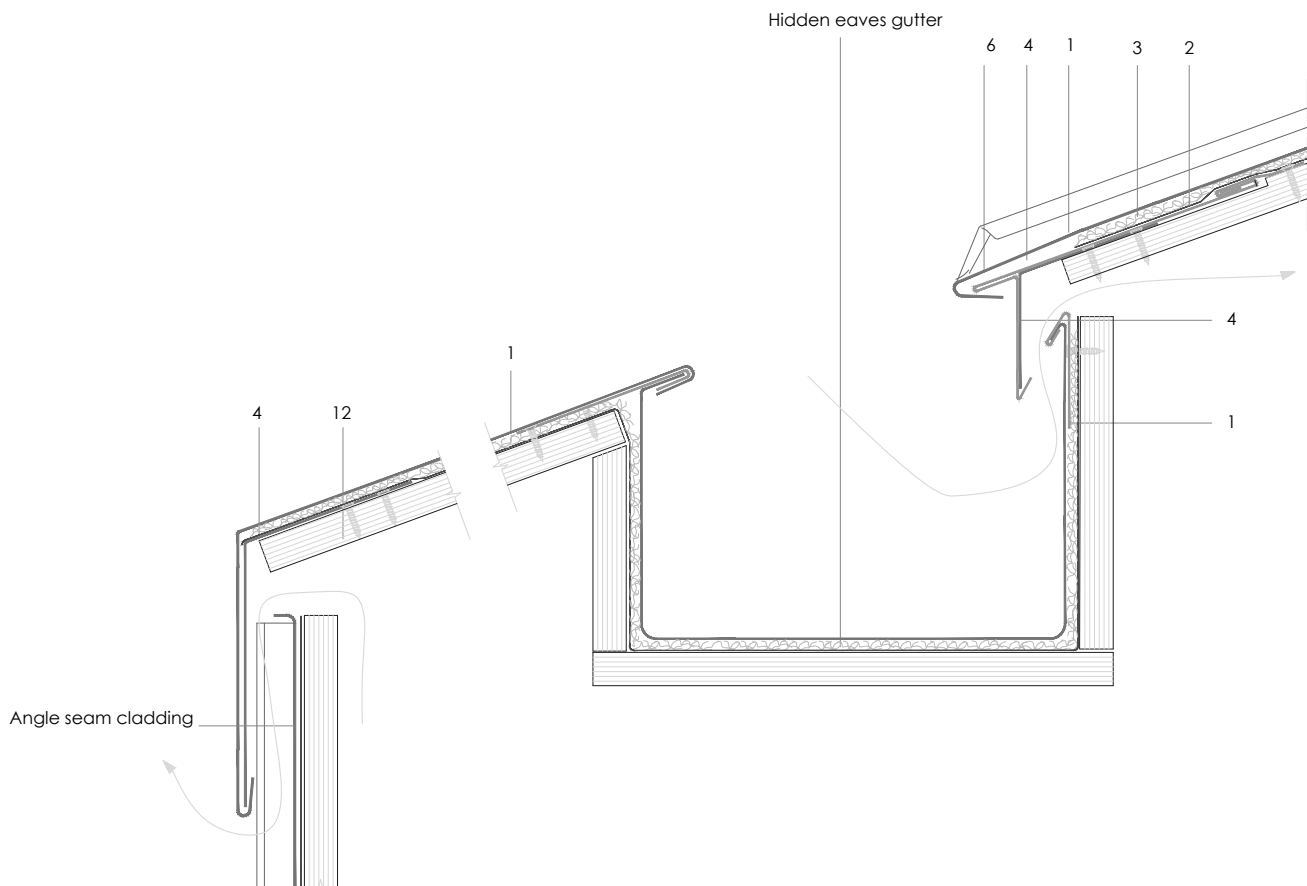
Scale 1/5

Notes:

- Foot of seam shown finished according to DLSS 1.2.1.02a. See DLSS 1.2.1.02b to 1.2.1.05c for alternatives.
- In the event of outlet blockage, the gutter overflows over its front edge.

1. elZinc® cladding
2. Membrane
3. Structural underlay
4. Folded galvanised steel profiles
5. elZinc® perforated sheet
6. elZinc® retention profile
7. Insulation
8. elZinc® hung gutter
9. Gutter clip
10. Gutter bracket
11. elZinc® clip
12. Substrate

DLSS 3.4.01a Hidden boxed eaves gutter (over zinc fascia).



All dimensions are indicative unless specified on the drawing  
Sheet thickness may be exaggerated for clarity

Scale 1/5

Notes:

- Foot of seam shown finished according to DLSS 1.2.1.02a. See DLSS 1.2.1.02b to 1.2.1.05c for alternatives.
- In the event of outlet blockage, the gutter overflows over its front edge.

1. elZinc® cladding
2. Membrane
3. Structural underlay
4. Folded galvanised steel profiles
5. elZinc® perforated sheet
6. elZinc® retention profile
7. Insulation
8. elZinc® hung gutter
9. Gutter clip
10. Gutter bracket
11. elZinc® clip
12. Substrate