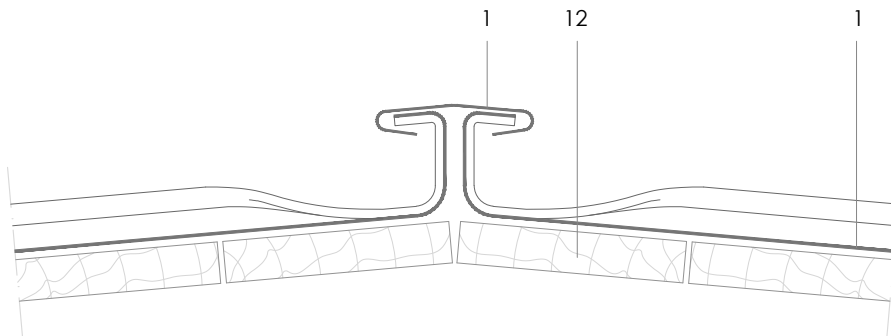


DLSS 5.2.02 Tee seam hip.



All dimensions are indicative unless specified on the drawing  
Sheet thickness may be exaggerated for clarity

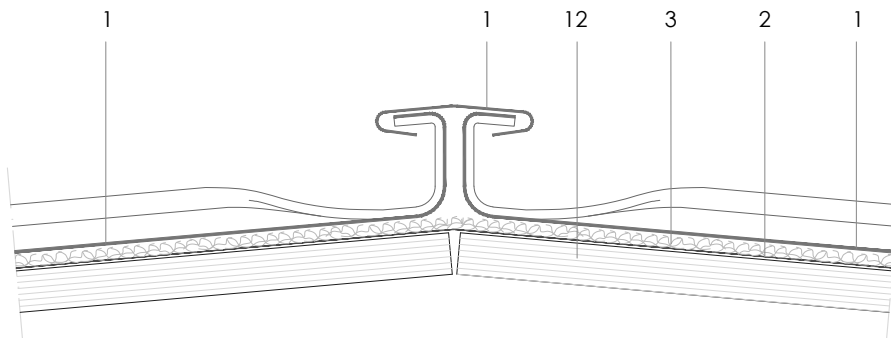
Scale 1/4

Notes:

- Used on non-vented roofs or vented roofs where the tops of the hip rafters are notched to allow these bays to ventilate out at the ridge. Alternatively ventilation hoods can be installed at the top of each bay on a vented roof.
- Separates roofs. Head of seam shown finished according to DLSS 1.2.2.01. Alternative: Straight dog-eared upstand DLSS 1.2.2.02a or its version b if the pitch is steep enough.

1. elZinc® cladding
2. Membrane
3. Structural underlay
4. Folded galvanised steel profiles
5. elZinc® perforated sheet
6. elZinc® retention profile
7. Insulation
8. elZinc® hung gutter
9. Gutter clip
10. Gutter bracket
11. elZinc® clip
12. Substrate

DLSS 5.2.02 Tee seam hip.



All dimensions are indicative unless specified on the drawing  
Sheet thickness may be exaggerated for clarity

Scale 1/4

Notes:

- Used on non-vented roofs or vented roofs where the tops of the hip rafters are notched to allow these bays to ventilate out at the ridge. Alternatively ventilation hoods can be installed at the top of each bay on a vented roof.
- Separates roofs. Head of seam shown finished according to DLSS 1.2.2.01. Alternative: Straight dog-eared upstand DLSS 1.2.2.02a or its version b if the pitch is steep enough.

1. elZinc® cladding
2. Membrane
3. Structural underlay
4. Folded galvanised steel profiles
5. elZinc® perforated sheet
6. elZinc® retention profile
7. Insulation
8. elZinc® hung gutter
9. Gutter clip
10. Gutter bracket
11. elZinc® clip
12. Substrate